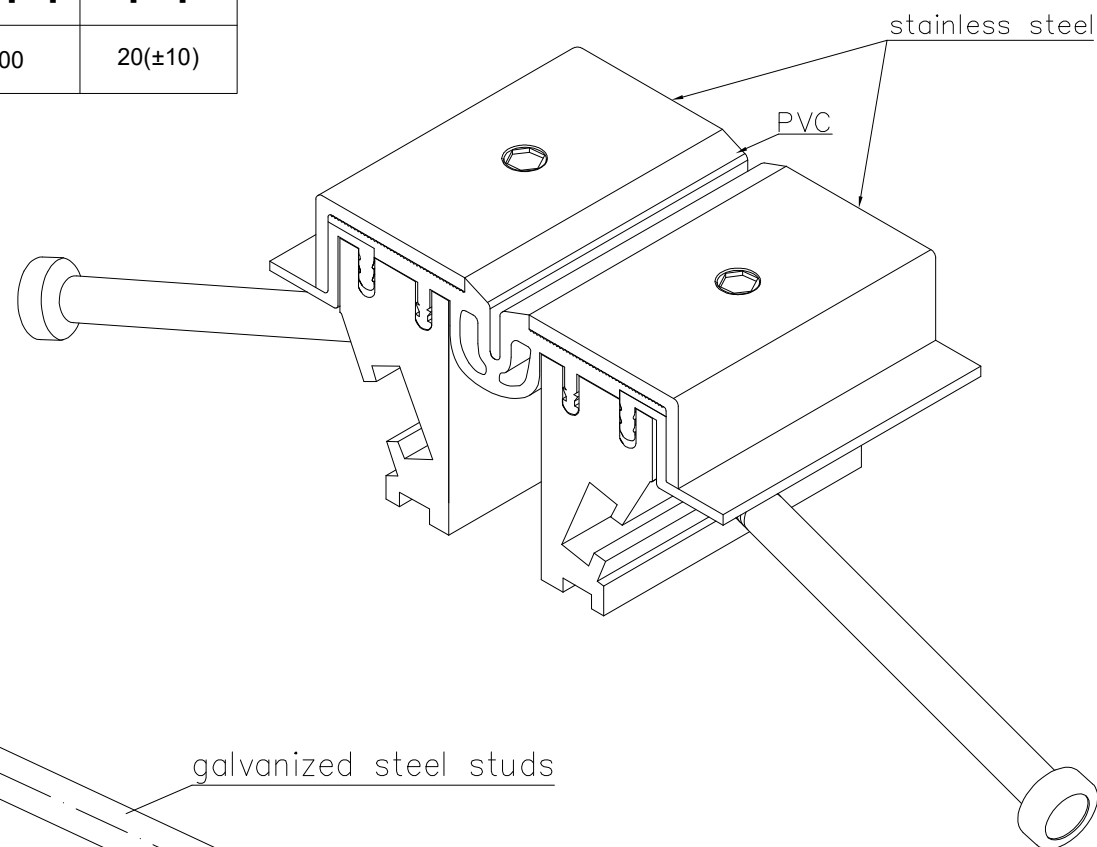


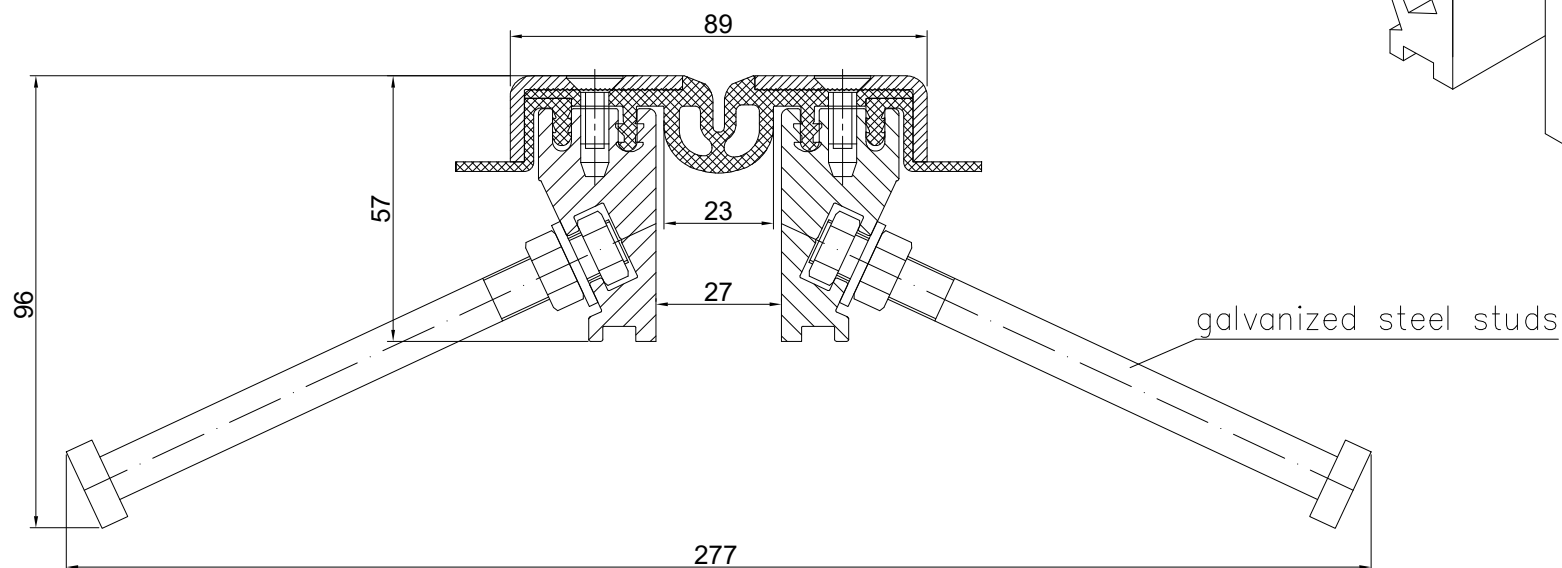
INFORMATION TABLE

Type of profile	Visible element [mm]	Gap width [mm]	Base width [mm]	Installation height [mm]	Material type	Maximum load [KN]	Movement [mm]
GA 40.10.50& S + galv studs	89	27	277	57 / 96	Aluminum, PVC, steel	300	20(±10)

CONECTO PARK GA 43.10.50& S VIEW



CONECTO PARK GA 43.10.50& S SECTION



Expansion joint Conecto Park  
GA 43.10.50& S

Conecto Profiles Sp. z o.o.  
ul. Przemysłowa 39  
61-541 Poznań  
www.conecto-profiles.com



ROZMIAR / SIZE A3	SKALA / SCALE 1:1	Wszystkie wymiary podano w [ mm ] All dimensions in [ mm ]
----------------------	----------------------	---

PROJEKT PROJECT	ZŁOŻENIE SUB ASSEMBLY	RYSUNEK DRAWING	ARKUSZ SHEET	VER REV
--	--	01	1 Z OF 1	