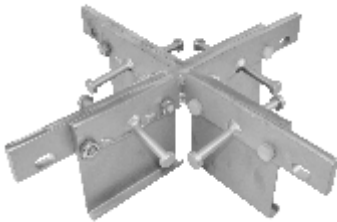


DOWEL 10NA40-5D

DOWEL 10NA40-5D L-SHAPE



DOWEL 10NA40-5D CROSS-SHAPE



DOWEL 10NA40-5D T-SHAPE



Expansion strips are mounted in concrete floor plates to compensate movements in plate sections. Concrete plates are exposed to internal and external pressures. Damage occurs mainly at the edges of plates near to connections. Connection of floor plates should compensate their mutual horizontal movements (perpendicular and parallel to the expansion joint) which are usually caused by thermal expansion and shrinkage of concrete. At the same time the connection must also block vertical movements and mutual curving of floor elements which is a consequence of traffic, heavy loads and uneven passive earth pressure.

Conecto Dowel expansion joints allow for a movement between floor plates:

- dowel size 180x120x8mm ± 15 mm parallel and ± 20 mm perpendicular
- dowel size 180x140x10mm ± 20 mm parallel and ± 30 mm perpendicular

Conecto Dowel expansion joints ensure an even distribution of the loads between floor plates by preventing excessive local tensions. Expansion joints help to eliminate the main reason behind uncontrolled floor cracking, they make the floor last longer and improve use comfort.

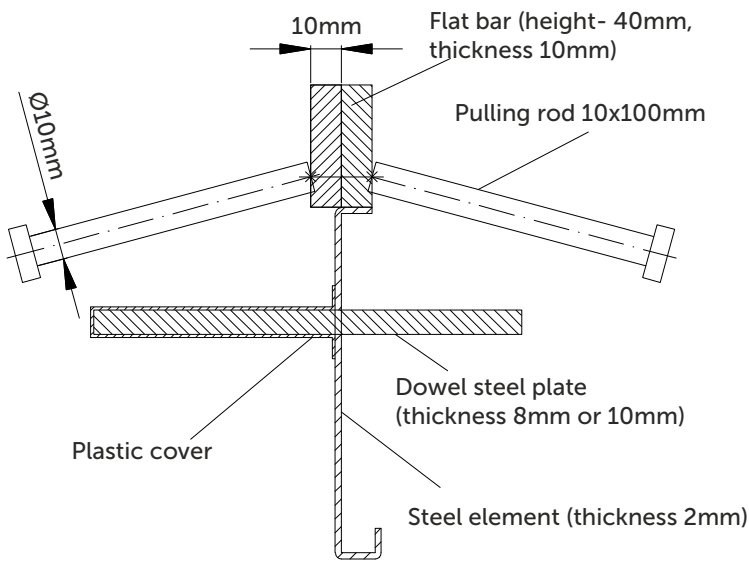
The number of expansion joints should allow to divide the floor into regular fields, with a shape similar to a square of up to 1000m², which constitutes a daily flooring efficiency. Joints should be spaced at a distance not greater than 45-45m.

The system is complete, easy to install and ready for application, all you should do is place the joint at the installation site and join them without wrenches, using screws with wing nuts provided in the package.

Conecto Dowel joints guarantee proper resistance in case of permanent high traffic loads.



DOWEL 10NA40-5D



- Possibility to use flat bars size 6x40mm or 8x40mm
- Possibility to prepare top joint from galvanized steel or stainless steel
- Very big surface of steel dowel
- Standard space between dowels 600mm (5D)
- Possibility to use more dowels per one joint (6D, 7D) to increase max loads on floor
- Standard grade steel S355
- Nylon screws M10 providing possibility of separation and work between floor fields
- Plastic cover made of highly resistant ABS plastic

Floor height [mm]	Profile height [mm]	Dowel size [mm]	Dowel spacing [mm]	One piece weight [kg]	Max pieces on pallet [pcs]	Palett weight [kg]
100-110	90	180x120x8 180x140x10	600	31.80	80	2744.0
110-130	100			32.27	80	2781.6
135-155	125			33.47	80	2877.6
160-185	155			34.91	77	2888.1
185-205	175			35.87	66	2567.4
210-230	200			37.07	55	2238.8
235-255	225			38.27	55	2304.8
260-280	250			39.47	44	1936.7
285-305	275			40.67	44	1989.5

- ability to perform a profile in any height of 5 mm.
- possibility to preparing profiles of height 50mm, 60mm, 70mm, 80mm
- standard length 3 meters

