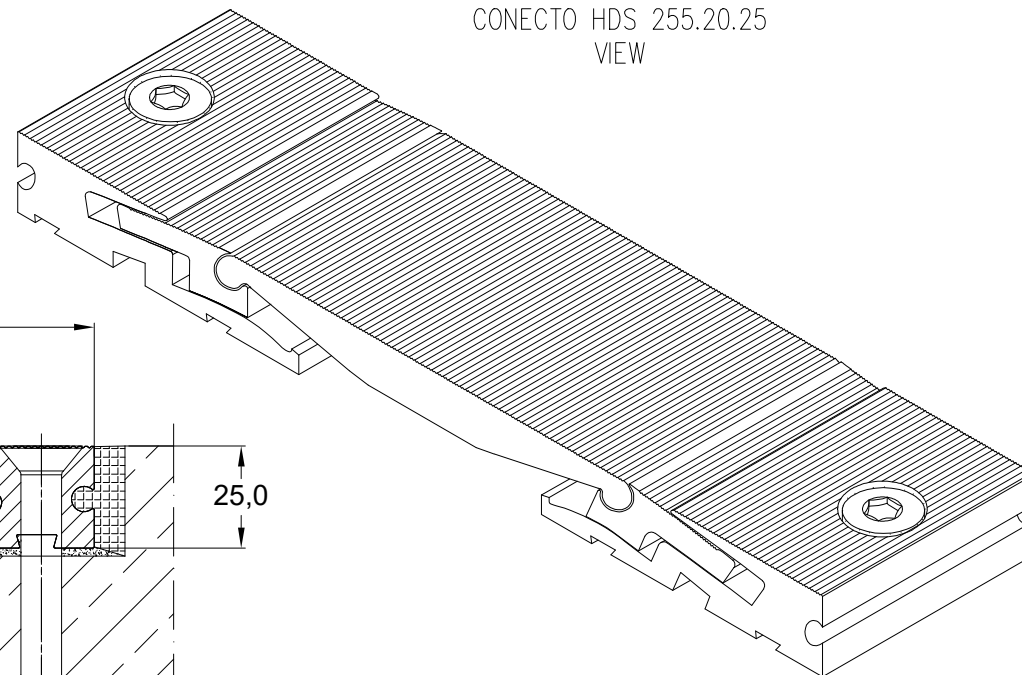


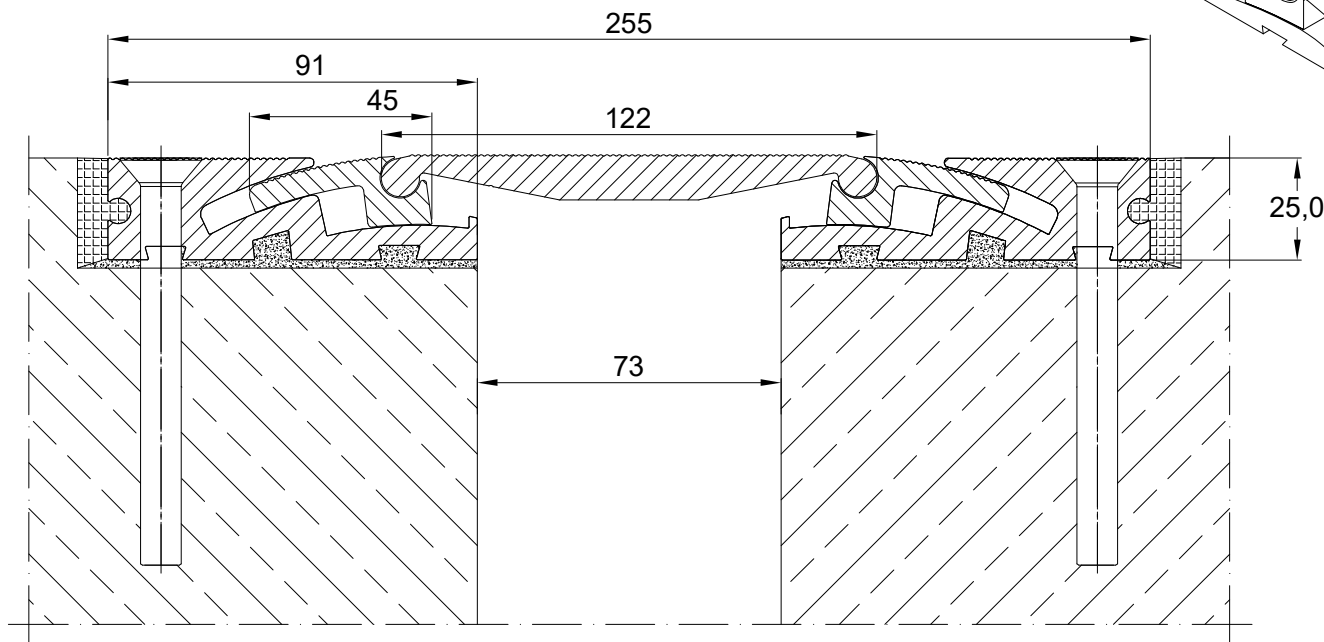
INFORMATION TABLE

Type of profile	Visible element [mm]	Joint width [mm]	Height of profile [mm]	Material	Load bearing capacity lorry (DIN 1072) [kN]	Load bearing capacity forklift trucks (DIN 1055) [kN]	Load bearing capacity vehicles with solid plastic tyres [kg/mm]	Movements horizontal/vertical [mm]
HDS 255.20.25	255	75	25	Aluminum	600	130	15	40(±20)/30(±15)

CONECTO HDS 255.20.25  
VIEW



CONECTO HDS 255.20.25  
SECTION



Expansion joint  
Conecto HDS 255.20.25

Conecto Profiles Sp. z o.o.  
ul. Przemysłowa 39  
61-541 Poznań  
www.conecto-profiles.com



ROZMIAR / SIZE A3	SKALA / SCALE 1:1	Wszystkie wymiary podano w [ mm ] All dimensions in [ mm ]
----------------------	----------------------	---

PROJEKT	PROJECT	ZŁOŻENIE	SUB ASSEMBLY	RYSUNEK	DRAWING	ARKUSZ SHEET	WER REV
--	--	--	--	01	01	1 Z OF 1	