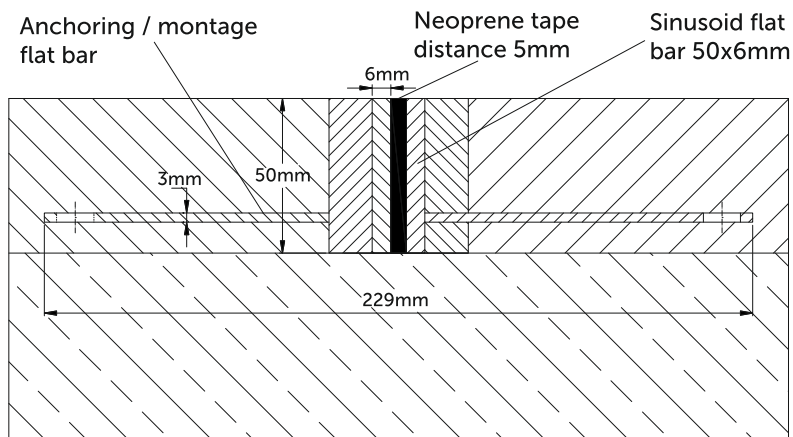
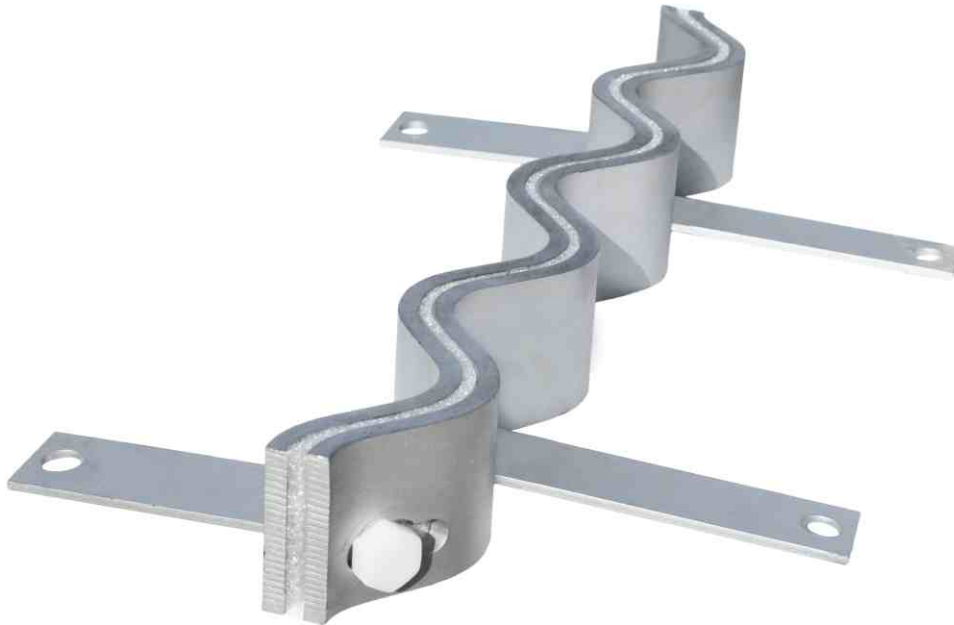


TECHNICAL DATA SHEET



Conecto Sinus are reparation joints designed for cracking floors. Sinusoid construction provides two-level movement which prevent deeper cracking of the floors. Properly installed Conecto Sinus joints eliminate resultant damages and prevent in case of further damages. Properly secured with Conecto Sinus joints floor will not cause vehicles damages and ward off deep cracks which could prevent further usage of floor. Standard lenght = 2.4 meters.

