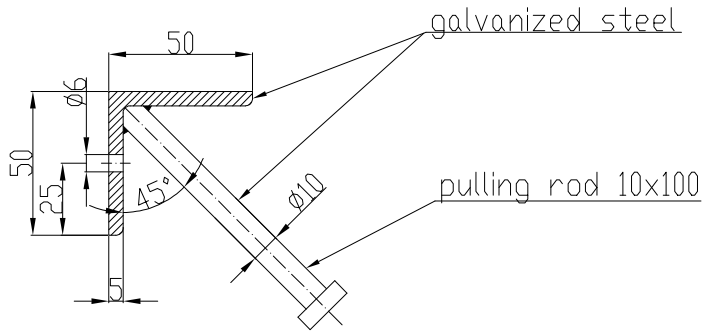
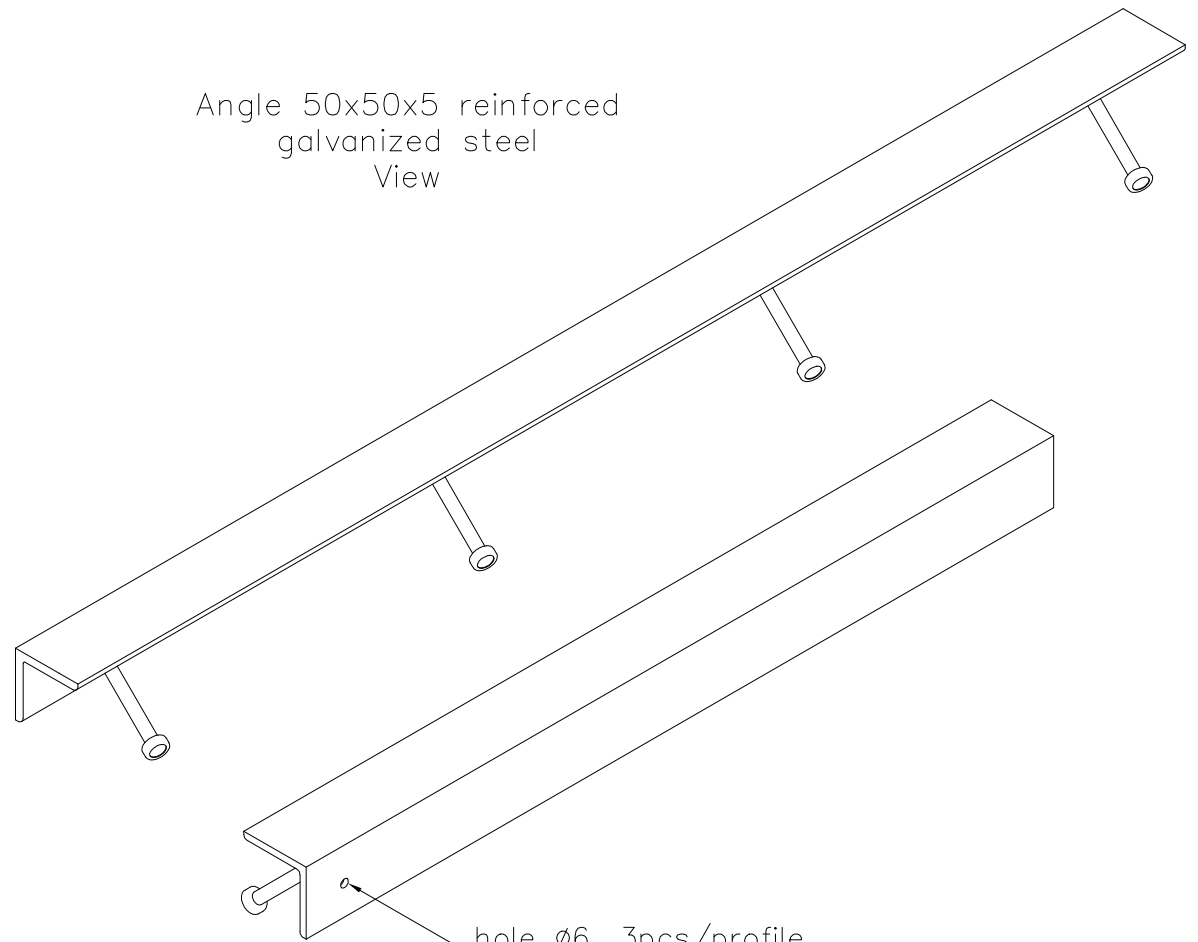


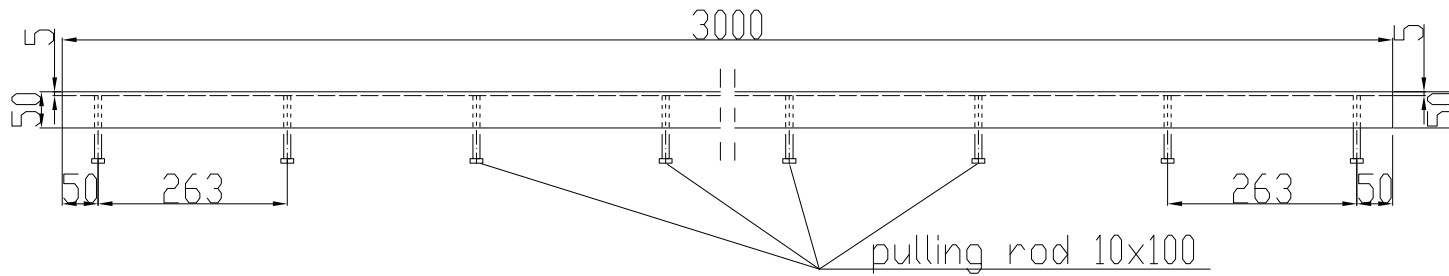
Angle 50x50x5 reinforced
galvanized steel
Section
Scale 2:1



Angle 50x50x5 reinforced
galvanized steel
View



Top view
Scale 1:2



Angle 50x50x5 reinforced
galvanized steel
L=3000

Conecto Profiles Sp. z o.o.
ul. Przemysłowa 39
61-541 Poznań
www.conecto-profiles.com



RZMIAR / SIZE
A3

SKALA / SCALE
1:1

Wszystkie wymiary podano w [mm]
All dimensions in [mm]

| PROJEKT | PROJECT | ZŁOŻENIE | SUB ASSEMBLY | RYSUNEK | DRAWING | ARKUSZ SHEET | VER REV |
|---------|---------|----------|--------------|---------|---------|--------------|---------|
| -- | | -- | | 01 | | 1 Z OF 1 | |